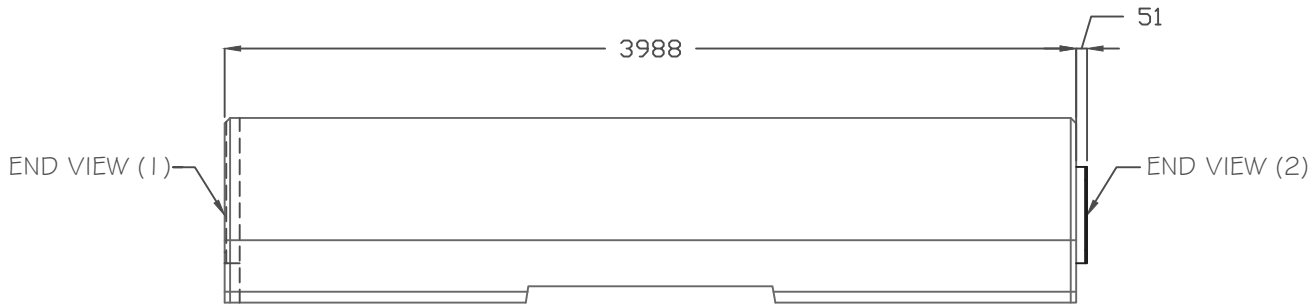
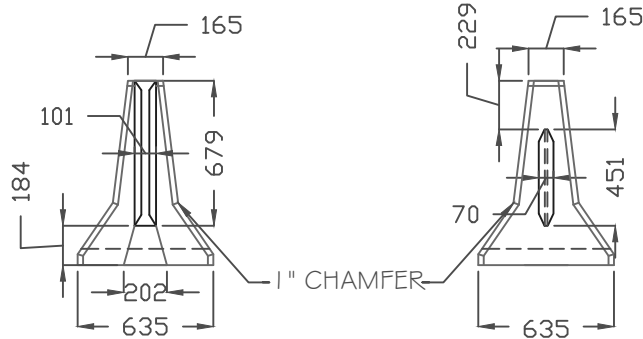


TOP VIEW



SIDE VIEW



END VIEW (1)

END VIEW (2)

DIMENSIONS:

ALL DIMENSIONS IN MILLIMETERS.
+/- 10mm TOLERANCE ON DIMEN

CONCRETE:

STANDARD
BARRIERS FAST SET (ACCELERATED
STRIPPING)
10 MPa STRIPPING STRENGTH
35 MPa @ 28 DAYS
C-1 EXPOSURE CLASS
1.6 CUBIC YARDS

REINFORCEMENT:

ALL REINF. HAS MIN. 25mm OF COVER
3-10M BARS:
1-IN TOP, CENTER
2-IN BOTTOM, 325mm C/C

WEIGHT:

APPROX. 5896 LBS/ 2680 KG



58 COOPER ROAD
ROSSLYN, ONT.
Phone: (807) 939-2655
Fax: (807) 939-1788

PRODUCT

I-LOCK MEDIAN BARRIER

CONTRACTOR:

.

SCALE:

N.T.S

JOB/PRODUCT CODE:

I-LOCK

DATE	INI.	DESCRIPTION
25/11/13	DSM	ORIGINAL DRAWING