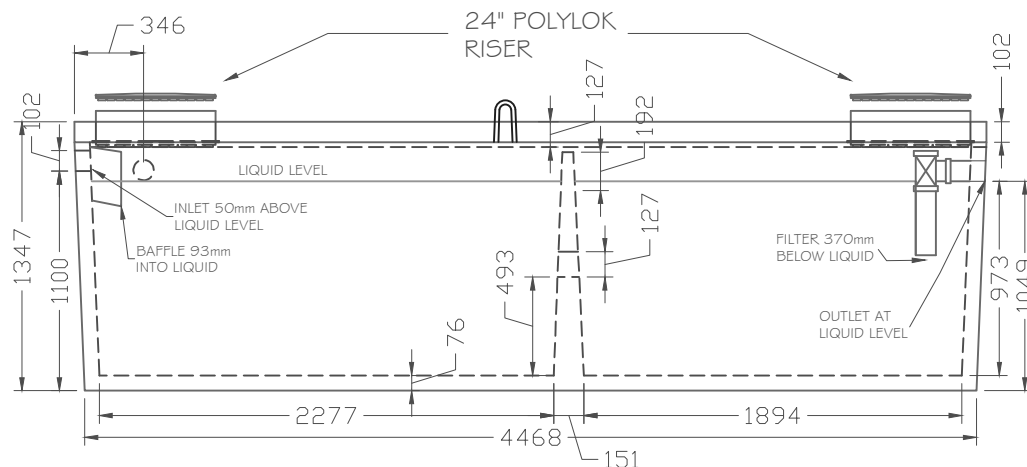
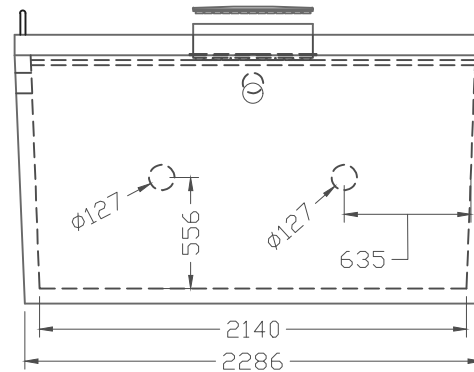


TOP VIEW



SIDE VIEW



END VIEW

GENERAL:

ALL DIMENSIONS IN MILLIMETERS
+/- 10mm TOLERANCES ON ALL DIMENSIONS

CONCRETE:

STANDARD
STANDARD ACC (ACCELERATED STRIPPING)
10 MPa @ STRIPPING STRENGTH
35 MPa @ 28 DAYS
C-1 EXPOSURE CLASS
SULPHATE RESISTANT
1.52 CUBIC YARDS (TANK)
1.38 CUBIC YARDS (LID)

REINFORCING:

ALL REINF. HAS MIN. 25mm OF COVER

TANK:

WWF 6"x6" $\frac{5}{8}$ " (BOTTOM AND 36" OF SIDES)
1- 10M RING (TOP)
4- 10M VERTICALS (SIDES)

LID:

1- 10M RING
4- 10M BARS LONG WAY
2- 10M BARS SHORT WAY

WEIGHT:

LID APPROX. - 6926 LBS/3148 KG
TANK APPROX. - 12,015 LBS/5462 KG
ASSEMBLED APPROX. - 18,941 LBS/8610 KG

NOTES:

USE $\frac{3}{8}$ " x $\frac{3}{4}$ " PURPLE LIFTERS ON LID
DIVIDER WALL IS MONOLITHIC CAST
JOINT SEALANT IS MASTIC SEALANT (CONCEAL CS-102)
(NSF APPROVED SEALANT AVAILABLE FOR PORTABLE
WATER HOLDING TANKS)
TANK ASSEMBLED IN FACTORY
1.5M MAXIMUM BURIAL
INLETS ARE 4" POLYLOK PIPE SEALS
LID AND RISER ARE 24" DIAMETER POLYLOK



PRODUCT:
2000 GAL/9080 L SEPTIC TANK

PRODUCT ID:
STC 2000

CONTRACTOR:

SCALE:

N.T.S

REV	DATE	INI.	DESCRIPTION
0	03/23/ 20	LP	ORIGINAL DRAWING