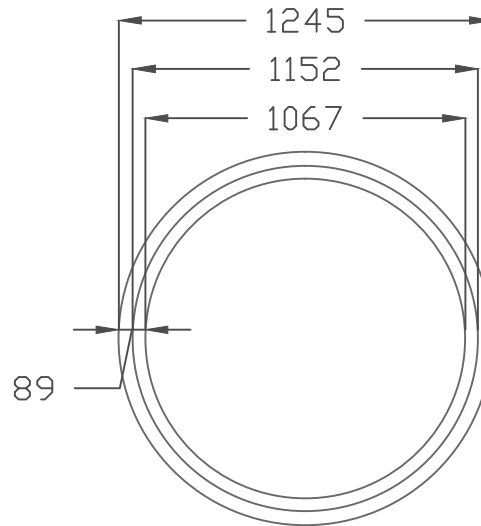


SIDE VIEW



TOP VIEW

DIMENSIONS:

ALL DIMENSIONS IN MILLIMETERS
+/- 10mm TOLERANCES ON ALL DIMENSIONS

CONCRETE:

35 MPa @ 28 DAYS
0.4 WATER/CEMENT RATIO
C-1 EXPOSURE CLASS
0.42 CUBIC YARDS

REINFORCEMENT:

6x6 ⁶/₈ WWF FULL HEIGHT

WEIGHT:

APPROX. 2000 LBS LBS/909 KG



58 COOPER ROAD
ROSSLYN, ONT.
Phone: (807) 939-2655
Fax: (807) 939-1788

PRODUCT

42" WELL TILE

CONTRACTOR:

.

SCALE:

N.T.S

JOB/PRODUCT CODE:

42WT

DATE	INI.	DESCRIPTION
NOV 2013	MH	ORIGINAL DRAWING