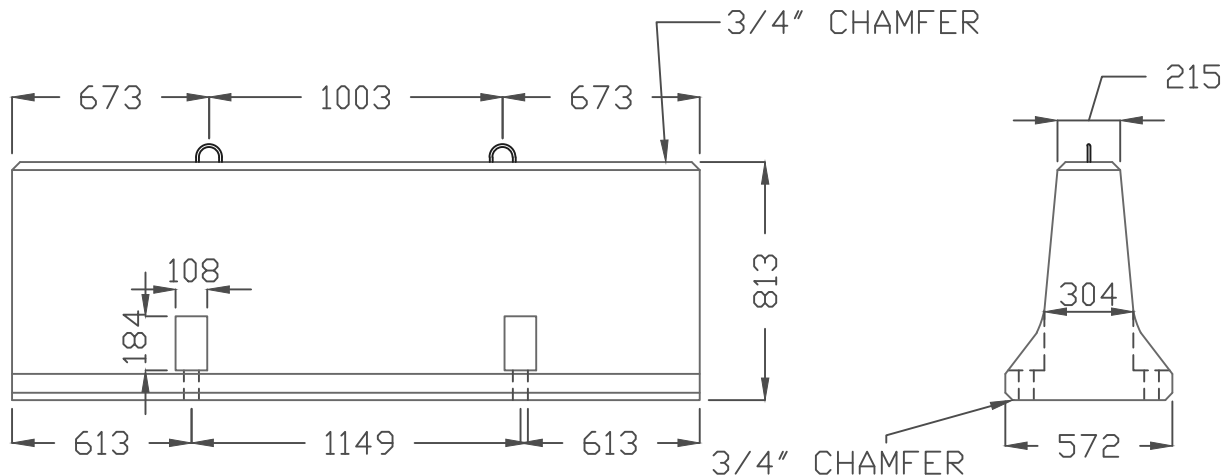


TOP VIEW



SIDE VIEW

END VIEW

DIMENSIONS:

ALL DIMENSIONS IN MILLIMETERS
+/- 10mm TOLERANCE ON DIMENSIONS

CONCRETE:

STANDARD
BARRIERS FAST SET (ACCELERATED STRIPPING)
10 MPa STRIPPING STRENGTH
35 MPa @ 28 DAYS
C-1 EXPOSURE CLASS
1.4 CUBIC YARDS

REINFORCEMENT:

ALL REINF. HAS MIN. 25mm OF COVER
3-10M BARS:
1-IN TOP- CENTER
2-IN BOTTOM, 300mm C/C

WEIGHT:

APPROX. 3350 LBS/1523 KG



58 COOPER ROAD
ROSSLYN, ONT.
Phone: (807) 939-2655
Fax: (807) 939-1788

PRODUCT

8 FOOT MEDIAN BARRIER

JOB/PRODUCT CODE:

8MB

CONTRACTOR:

SCALE:

N.T.S

DATE	INI.	DESCRIPTION
14/11/13	DSM	ORIGINAL DRAWING