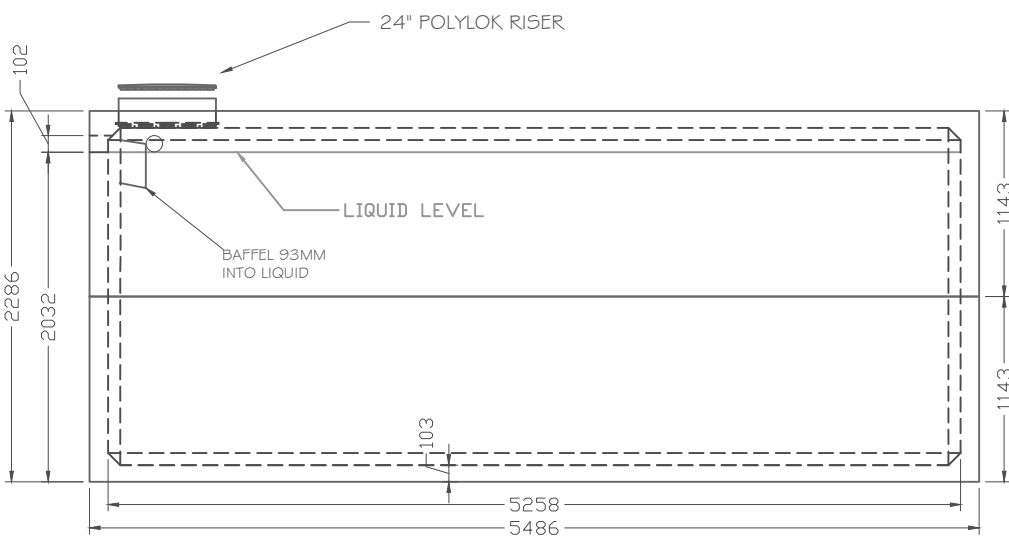
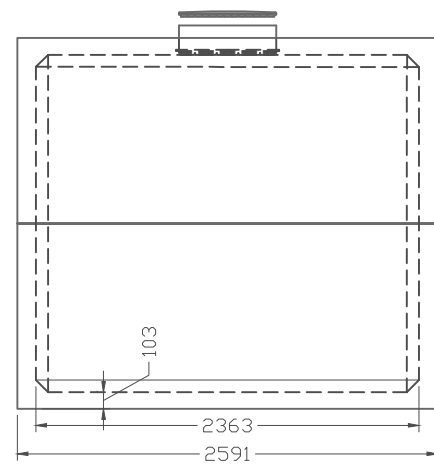


TOP VIEW



SIDE VIEW



END VIEW

GENERAL:
 ALL DIMENSIONS IN MILLIMETERS
 +/- 10mm TOLERANCES ON ALL DIMENSIONS

CONCRETE:
 STANDARD
 STANDARD ACC (ACCELERATED STRIPPING)
 10 MPa @ STRIPPING STRENGTH
 35 MPa @ 28 DAYS
 C-1 EXPOSURE CLASS
 SULPHATE RESISTANT
 3.9 CUBIC YARDS (TOP HALF)
 3.9 CUBIC YARDS (BOTTOM HALF)

REINFORCING:
 ALL REINF. HAS MIN. 25mm OF COVER

TANK:
 10M @ 300mm O/C EW

LID:
 10M @ 300mm O/C EW
 CORNER BARS AROUND RISERS

WEIGHT:
 TOP SECTION APPROX. - 15,941 LBS/7246 KG
 BTM SECTION APPROX. - 16,168 LBS/7349 KG
 ASSEMBLED APPROX. - 32,109 LBS/14,595 KG

NOTES:
 JOINT SEALANT IS MASTIC SEALANT (CONCEAL CS-102)
 (NSF APPROVED SEALANT AVAILABLE FOR PORTABLE
 WATER HOLDING TANKS)
 TANK ASSEMBLED IN FACTORY
 1.5M MAXIMUM BURIAL
 INLETS ARE 4" POLYLOK PIPE SEALS
 LID AND RISER ARE 24" DIAMETER POLYLOK



PRODUCT: **5340 GAL/24,247 L HOLDING TANK**

CONTRACTOR:

SCALE: **N.T.S**

REV	DATE	INI.	DESCRIPTION
0	03/23/ 20	LP	ORIGINAL DRAWING

PRODUCT ID: **HTC 5340**