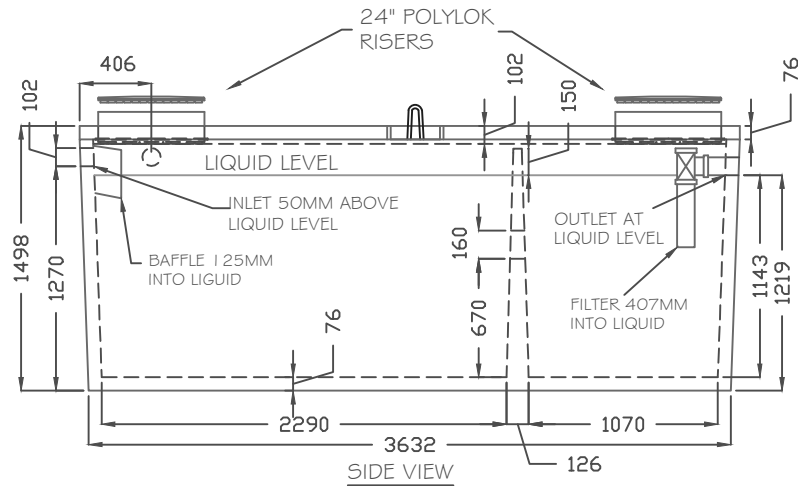
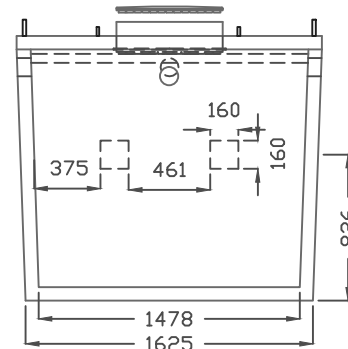


TOP VIEW



SIDE VIEW



END VIEW

**DIMENSIONS:**

ALL DIMENSIONS IN MILLIMETERS.  
+/- 10mm TOLERANCES ON ALL DIMENSIONS

**CONCRETE:**

STANDARD  
STANDARD ACC+(ACCELERATED STRIPPING)  
10 MPa STRIPPING STRENGTH  
35 MPa @ 28 DAYS  
C-1 EXPOSURE CLASS  
SULPHATE RESISTANT  
2.2 CUBIC YARDS

**REINFORCEMENT:**

ALL REINF. HAS MIN. 25mm OF COVER

**TANK:**

WWF 6"x6" 6/6 (BOTTOM AND 36" OF SIDES)  
1 - 10M RING (TOP)  
4 - 10M VERTICALS (SIDES)

**LID:**

1 - 10M RING  
4 - 10M BARS LONG WAY  
2 - 10M BARS SHORT WAY

**WEIGHT:**

APPROX. 13189 LBS/5995 KG

**NOTES:**

USE 3/8" x 8 1/2" PURPLE LIFTERS ON LID  
DIVIDER WALL IS MONOLITHIC CAST  
JOINT SEALANT IS MASTIC SEALANT (CONSEAL CS-102)  
TANK ASSEMBLED IN FACTORY  
1.5M MAXIMUM BURIAL  
INLET AND OUTLET ARE 4" POLYLOK PIPE SEALS  
LIDS AND RISERS ARE 24" DIAMETER POLYLOK



58 COOPER ROAD  
ROSSLYN, ONT.  
Phone: (807) 939-2655  
Fax: (807) 939-1788

PRODUCT

1322 GAL/ 6013 L SEPTIC TANK

CONTRACTOR:

.

SCALE:

N.T.S

JOB/PRODUCT CODE:

1200STPR

DATE	INI.	DESCRIPTION
11/26/13	DSM	ORIGINAL DRAWING