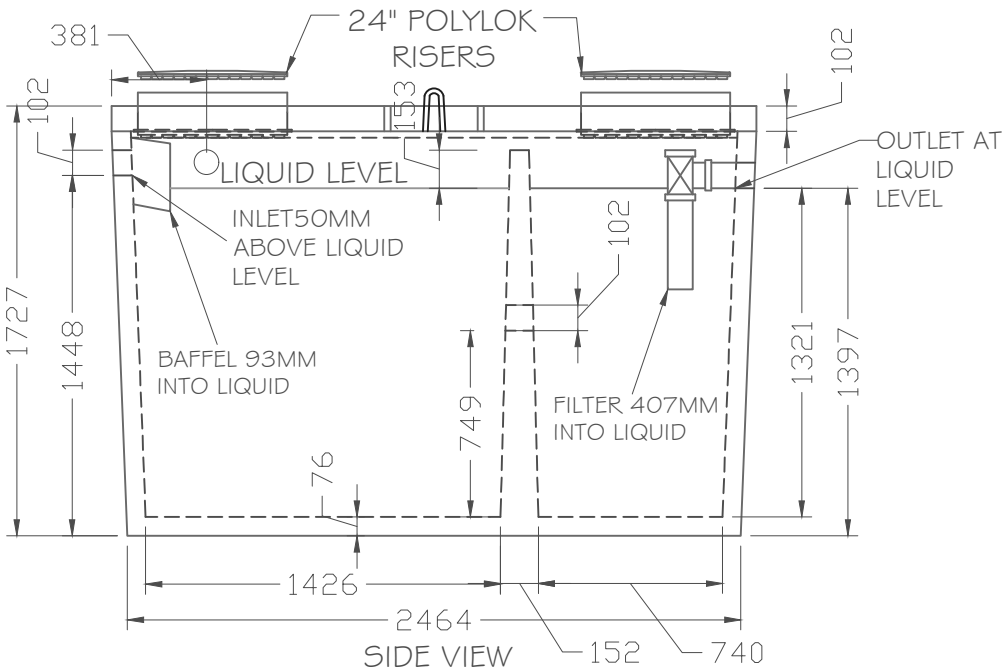
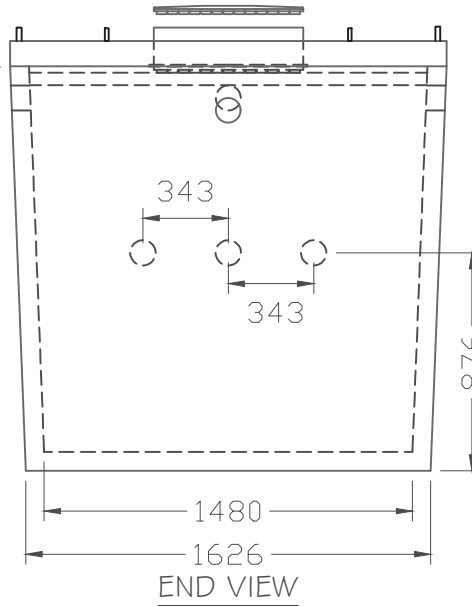


TOP VIEW



SIDE VIEW



END VIEW

GENERAL:

ALL DIMENSIONS IN MILLIMETERS
 +/- 10mm TOLERANCES ON ALL DIMENSIONS

CONCRETE:

STANDARD
 STANDARD ACC (ACCELERATED STRIPPING)
 10 MPa @ STRIPPING STRENGTH
 35 MPa @ 28 DAYS
 C-1 EXPOSURE CLASS
 SULPHATE RESISTANT
 2.0 CUBIC YARDS (TANK)
 0.8 CUBIC YARDS (LID)

REINFORCING:

ALL REINF. HAS MIN. 25mm OF COVER

TANK:

WWF 6"x6" $\frac{5}{8}$ " (BOTTOM AND 36" OF SIDES)
 1- 10M RING (TOP)
 4- 10M VERTICALS (SIDES)

LID:

1- 10M RING
 4- 10M BARS LONG WAY
 2- 10M BARS SHORT WAY

WEIGHT:

APPROX. - 11,090 LBS/5041 KG

NOTES:

USE $\frac{3}{8}$ " x $\frac{3}{4}$ " PURPLE LIFTERS ON LID
 DIVIDER WALL IS MONOLITHIC
 JOINT SEALANT IS MASTIC SEALANT (CONCEAL CS-102)
 (NSF APPROVED SEALANT AVAILABLE FOR PORTABLE
 WATER HOLDING TANKS)
 TANK ASSEMBLED IN FACTORY
 1.5M MAXIMUM BURIAL
 INLETS ARE 4" POLYLOK PIPE SEALS
 LID AND RISER ARE 24" DIAMETER POLYLOK



PRODUCT:
1015 GAL/4606 L SEPTIC TANK

PRODUCT ID:
STC 1015

CONTRACTOR:

SCALE:
 N.T.S

REV	DATE	INI.	DESCRIPTION
0	03/23/ 20	LP	ORIGINAL DRAWING