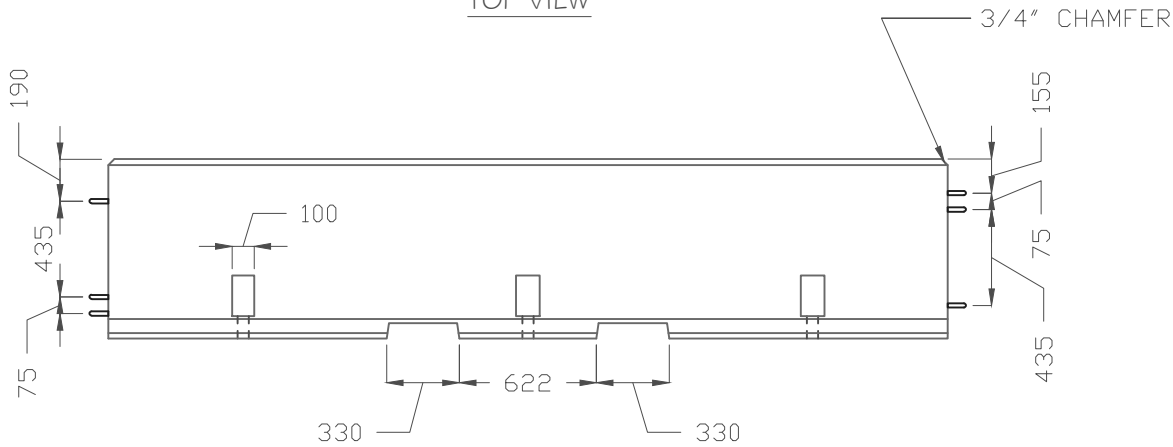
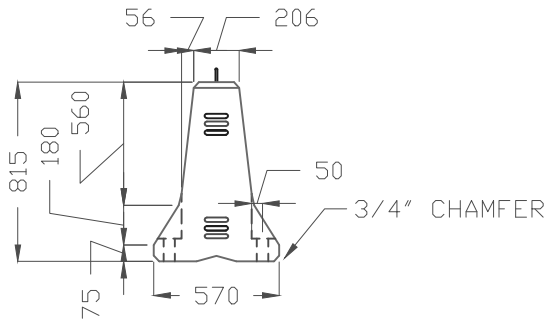


TOP VIEW



SIDE VIEW



END VIEW

DIMENSIONS

ALL DIMENSIONS IN MILLIMETERS
 10mm TOLERANCES ON DIM > 300mm
 5mm TOLERANCES ON DIM < 300mm
 CLEAR COVER AS PER OPSD 911.160

CONCRETE:

STANDARD
 10 MPa STRIPPING STRENGTH
 35 MPa @ 28 DAYS
 C-1 EXPOSURE CLASS
 1.4 CUBIC YARDS

REINFORCEMENT:

TYPE M REBAR CAGE
 AS PER OPSD 911.160 & OPSD 911.161

CONNECTION PINS ARE A36 STEEL PINS
 AS PER OPSD 911.161

WEIGHT:

APPROX. 5500 LBS/2500 KG
 BARRIERS AS PER OPSS 741



58 COOPER ROAD
 ROSSLYN, ONT.
 Phone: (807) 939-2655
 Fax: (807) 939-1788

PRODUCT

TYPE-M MEDIAN BARRIER

CONTRACTOR:

SCALE:

N.T.S

JOB/PRODUCT CODE:

TYPEM

DATE	INI.	DESCRIPTION
21/11/13	DSM	ORIGINAL DRAWING
27/04/16	DSM	REVISED DIMENSIONS / NOTES