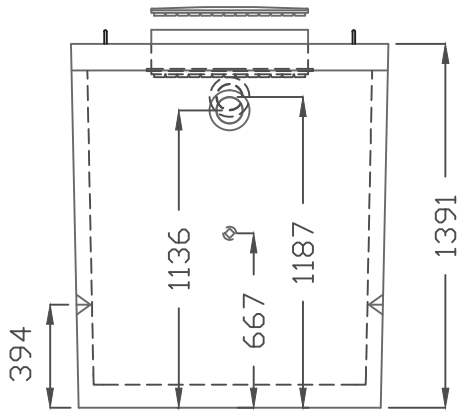
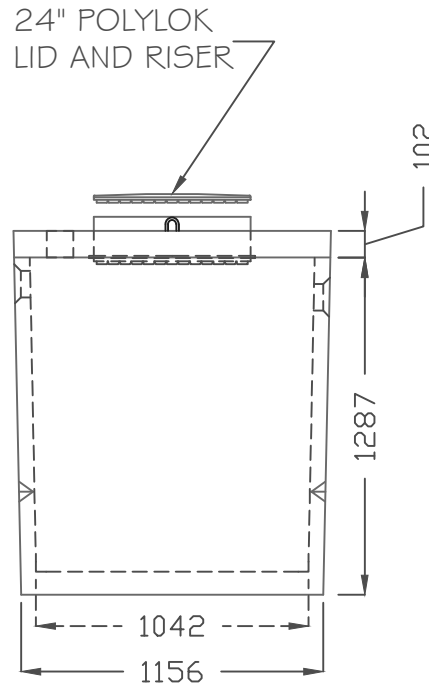


TOP VIEW



SIDE VIEW (1)



SIDE VIEW (2)

DIMENSIONS:

ALL DIMENSIONS IN MILLIMETERS.
+/- 10mm TOLERANCES ON ALL DIMENSIONS

CONCRETE:

STANDARD
STANDARD ACC(ACCELERATED STRIPPING)
35 MPa @ 28 DAYS
C-1 EXPOSURE CLASS
5-7% AIR ENTRAINMENT
0.97 CUBIC YARDS

REINFORCEMENT:

ALL REINF. HAS MIN. 25mm OF COVER
6x6 6/6 WWF BASKET
10M X ON ALL SIDES
10M TOP RING

10M LID RING
2-10M STRAIGHTS E/W LID

WEIGHT:

ASSEMBLED WEIGHT APPROX. ----- LBS/----- KG

NOTES:

JOINT SEALANT IS MASTIC SEALANT (CONSEAL CS-102)
1.5M MAXIMUM BURIAL
INLET AND OUTLET ARE 4" POLYLOK PIPE SEALS
LID AND RISER IS A 24" DIAMETER POLYLOK



58 COOPER ROAD
ROSSLYN, ONT.
Phone: (807) 939-2655
Fax: (807) 939-1788

PRODUCT

250 GAL / 1125L PUMP TANK

JOB/PRODUCT CODE:

250PT

CONTRACTOR:

SCALE:

N.T.S

DATE	INI.	DESCRIPTION
NOV 2013	MH	ORIGINAL DRAWING